

# MegaPX ATM Cameras

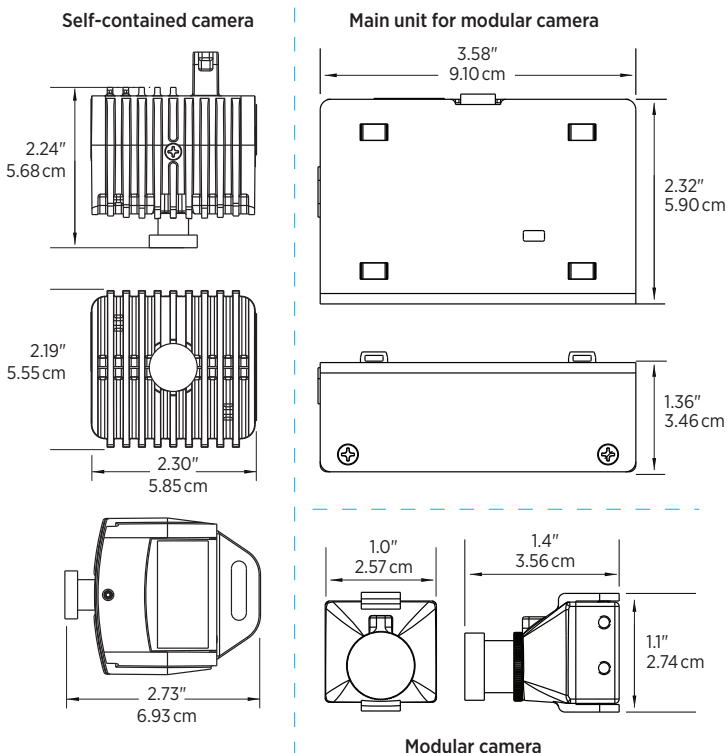
3MP camera with High Dynamic Range (HDR) and low-light capabilities, specifically designed for ATMs and available in a choice of styles: self-contained (for standard ATMs) or modular (for tighter spaces)



For banks and credit unions looking for reliable, discreet surveillance at ATMs, March Networks® is your one-stop ATM camera provider. These cameras deliver crystal-clear images at close range, even in bright light or near-dark conditions. And because the cameras were designed for easy installation within the unique environment of an ATM, you'll always get the perfect view of what's going on in front of it, no matter the ATM size or style.

## Key Benefits

- ▼ **Accommodates every ATM model.** Choose from the self-contained camera for standard ATMs, or a modular camera for tighter spaces. Our portfolio of mounting brackets has been specifically designed for a wide variety ATM models, and we can also custom-design a mounting bracket for your specific application.
- ▼ **Ideal view of ATM users.** See an impressive 3 ft (91 cm) vertical view of the customer. Other cameras deliver a limited view of the customer, which results in loss of important details like wardrobe features.
- ▼ **High Dynamic Range (HDR).** The camera blends the best parts of several separate exposures together to combine the most focused, well-lit, and colorful parts of the scene.
- ▼ **The camera stays in place.** The mounting brackets feature a robust locking mechanism that withstands the daily door slams of the ATM cash vaulting process, so the camera will not shift, tilt or fall back over time.
- ▼ **Find your critical video faster.** The Face Detection and Presence Detection analytics allow you to review snapshots/video of each instance of a face being in the camera's field of view.
- ▼ **QR Code.** Use the March Networks GURU smartphone app to scan the camera's QR code for instant product information, like serial number, warranty information, etc.



*Solve cases and accelerate investigations by seeing what's happening in front of your ATMs*

# MegaPX ATM Cameras

MODELS	
31763	Self-contained camera with M12 standard lens, 2.8mm
32044	Self-contained camera with M12 pinhole lens, 3.7mm
34112-101	Modular (separate camera and main unit) with M12 standard lens, 2.8mm

CAMERA	
Image Sensor	1/2.8" CMOS 3MP
Dynamic Range	Multi-exposure High Dynamic Range
Lens	
Standard	Fixed iris, fixed focus, F1.2, 2.8mm
Pinhole (self-contained camera only)	Fixed iris, fixed focus, F1.2, 3.7mm
Angle of View	
Standard	93° horizontal
Pinhole (self-contained camera only)	80° horizontal
Shutter Time	1 to 1/10000s
Minimum Illumination	0.08 Lux

VIDEO	
Video Compression	H.264 and MJPEG
Resolution	3MP 2048 x 1536 to 352 x 288
Optional Resolution	
Major Stream	2048 x 1536, 1920 x 1080, 1280 x 720, 720 x 576, 352 x 288
Minor Stream	720 x 576, 352 x 288, D1
Frame Rate	Up to 30 fps (50/60 Hz) in all resolutions
Video Streaming	
	Dual-stream H.264 + MJPEG (full resolution on stream 1; maximum D1 on stream 2)
	Controllable frame rate and bandwidth CBR/VBR
	Up to two simultaneous streams with any combination of resolution and frame rate
Image Settings	
	Compression, Color, Brightness, Exposure, Sharpness, Contrast, White Balance, BLC, Mirroring, Saturation, Hue, Digital Zoom, Rotation, Text and image overlay, HDR, 3D Denoise, Privacy Masks, Motion Detection, Tampering Alarm

NETWORK	
Security	Password protection, IP address filtering, connection management, LDAP authentication, HTTPS encryption (configuration only)
Supported Protocols	ONVIF S RTP, RTSP, RTCP, HTTP, HTTPS, IPv4, TCP, UDP, DHCP, ARP, LDAP
Interface	10/100Mbps self-adaptive Ethernet (RJ-45)
Internet Browser	Internet Explorer (9.0+)
Network Delay	≤250ms

SYSTEM INTEGRATION	
Intelligent Video	Video motion detection (up to 4 areas), connection monitoring, active tampering, presence detection, face detection
Event Triggers	Intelligent video
Event Actions	
	External output activation
	Video recording to local storage (microSDHC)
	Notification via email, HTTP, and TCP
	Pre- and post-alarm video buffering

GENERAL	
Housing	Black powder-coated aluminum
Power: 31763 and 32044	PoE; 12VDC
34112-101	PoE
Power Consumption	3.5 Watts
Local Storage	MicroSD/MicroSDHC card slot supporting memory card up to 64 GB (card not included)
Operating Conditions	14° to 122°F (-10° to 50°C); 0-90% relative humidity, non-condensing
Weight	0.44 lbs (0.2 Kg)
Dimensions	
31763 and 32044	2.2 H x 2.3 W x 2.7 D in (55.5 H x 57.99 W x 69.3 D mm)
34112-101: Camera	1.1 H x 1.0 W x 1.4 D in (27.32 H x 25.65 W x 35.6 D mm)
Main unit	1.32 H x 3.58 W x 2.32 D in (34.57 H x 91 W x 59 D cm)
Cable	39.4 in (1 m) L
Included Accessories	
31763 and 32044	Long mounting bracket, short mounting bracket, software CD, PoE splitter, terminal adaptor
34112-101	Software CD
Certification Model	
31763 and 32044	C1801A
34112-101	C2901A
Regulatory Approvals	
	CE – EMC Directive; 2004/108/EC; Standards EN55022; CISPR22; AS/NZS CISPR22, EN 61000-3-2; FCC Part 15 Subpart B; ICES-003; EN50130-4; UL-60950-1; RoHS Directive (2011/65/EU); WEEE; S&V SAE J1455

MOUNTING OPTIONS			
Mounts for self-contained cameras (31763 and 32044)		Mounts for modular camera (34112-101)	
			
Short mounting bracket	Long mounting bracket	Standard mounting bracket	View Window mounting bracket for NCR 6634 ATM

ORDERING INFORMATION	
CAMERA	
31763	Single, self-contained camera with standard lens (2.8mm), short and long mounting brackets
32044	Single, self-contained camera with pinhole lens (3.7mm), short and long mounting brackets
34112-101	Modular camera unit with standard lens (2.8mm)
MOUNTS & ACCESSORIES	
32458	Power supply – AC to 12VDC (for self-contained cameras)
34278	Standard mounting bracket and anti-glare cone (for modular camera)
34273	View window mounting bracket and anti-glare cone (for modular camera)

**5-year warranty:**

- Option for Advance Replacement or Repair & Return.
- No need to issue a PO prior to receiving the replacement.
- March Networks incurs all shipping costs – both ways – for Advance Replacements.

North America ..... 1 800 563 5564  
 Latin America ..... +5255 5259 9511  
 Europe ..... +39 0362 17935  
 Asia ..... +65 6818 0963  
 Australia and New Zealand ..... +61 1300 089 419  
 Middle East and Africa ..... +971 4 399 5525

© 2021 March Networks. All rights reserved. Information in this document is subject to change without notice. MARCH NETWORKS, March Networks Command, March Networks Searchlight, March Networks RideSafe, and the MARCH NETWORKS logo are trademarks of March Networks Corporation. All other trademarks are the property of their respective owners. 060-3234-00-G [marchnetworks.com](http://marchnetworks.com)

