

ME3 Pendant IR PTZ 40x

3MP PTZ with IR and HDR, for indoor and outdoor applications



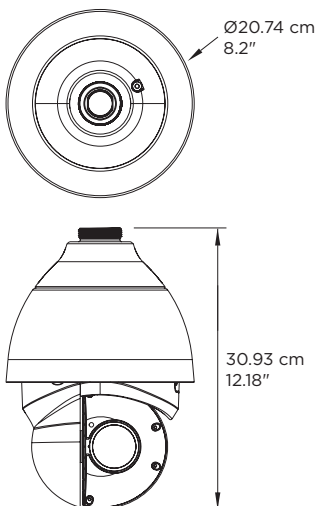
Shown with short pendant mount/back box



Shown with wall mount/back box



For customers who want to maximize their level of protection while minimizing their costs, a single **ME3 Pendant IR PTZ** from March Networks® provides uncompromising security for a large area and delivers one of the fastest pan/tilt/zoom speeds in the industry. The 360-degree per second panning speed allows you to easily track fast moving objects. The camera's integrated IR LEDs, HDR, P-Iris, and 3MP resolution guarantee superior image quality, regardless of lighting conditions. And its 40X zoom lens allows you to see 25% further than with industry-standard PTZs. The camera is protected by a weather-proof enclosure to prevent water and dust intrusion.



Key Benefits

- ▼ **40X zoom lens.** See objects that are 25% further away than you can with industry standard PTZs.
- ▼ **Built-in auto tracking.** The camera detects motion and tracks a person or object — automatically panning, tilting and zooming — to keep the image centered and in-focus.
- ▼ **High-powered IR.** The built-in LEDs provide uniform illumination in total darkness, allowing you to see high-quality, low-noise video from over 650 feet (200 meters) away. Additionally, the camera automatically switches between wide angle and long range IR beams based on focal length.
- ▼ **High Dynamic Range (HDR).** The camera blends the best parts of several separate exposures together to combine the most focused, well-lit, and colorful parts of the scene.
- ▼ **Image stabilization.** Reduces vibration and blurring, especially when the camera is zoomed all the way in, or is installed up high or in a windy area.
- ▼ **Universal Power over Ethernet.** UPoE redundancy guarantees zero downtime; if power goes out, the camera switches to PoE with no interruption.
- ▼ **Save money on storage and bandwidth.** When the camera is in its home position, the low bit rate (LBR) setting reduces storage and bandwidth usage by 50% or more in most applications; streams can drop below 3Mbps at 3MP (15 fps).

Click or scan the QR code to see the power of the PTZ's 40x optical zoom.



Monitor a large area from multiple angles and perspectives with a single PTZ.

ME3 Pendant IR PTZ 40x

LENS	
Optical Zoom	40X
Lens	4.3 – 170 mm, F1.6, P-Iris
Field of View	H = 62° (wide), 2° (tele); V = 49° (wide), 1° (tele)

CAMERA	
Image Sensor	1/2.8" Sony CMOS
Effective Pixels	3MP; 2065 (H) x 1533 (V)
High Dynamic Range (HDR)	Multi-exposure; 120 dB
Day/Night Functionality	Smart IR LEDs
IR Wavelength	850 nm
IR Illumination Distance	656 feet (200 m)
Number of LEDs	8 (Wide angle / Long range)
Pixel Size	2.5 µm
Shutter Speed	1/10000s
Camera Angle Adjustment	Pan 360°, Tilt 180°, Rotation -100° to 100°
White Balance	Manual/Automatic

VIDEO	
Video Compression	H.264, MJPEG
Resolution	3MP, Full HD 1080p, SXGA, 720p, XGA, SVGA, D1, VGA, CIF
Frame Rate (max)	H.264: HDR 3MP @ 30 fps + 3MP @ 30 fps MJPEG: 1080p @ 30 fps
Streaming	Up to four individually configurable streams in H.264, MJPEG Configurable framerate, bandwidth, LBR, VBR, and CBR in H.264
Image Settings	Iris control, backlight compensation, white balance, noise reduction, wide dynamic range, privacy mask, brightness, exposure, sharpness, contrast, saturation, hue, IR configuration, day/night threshold

AUDIO	
Audio Streaming	Two-way, stereo
Audio Compression	G.711 PCM, G.726 ADPCM, Configurable bit rate (8-48 kHz)
Audio Input/Output	Line in/line out

OPERATIONAL	
Pan Manual Control Speed	0.1° - 90°/second
Tilt Manual Control Speed	0.1° - 55°/second
Pan Preset Speed	280°/second
Tilt Preset Speed	280°/second
Pan Rotation Angle	360° continuous rotation
Tilt Rotation	-20° - 100°
Pan Preset Accuracy	0.16°
Tilt Preset Accuracy	0.18°
Programmable Presets	256
Programmable Patterns	8
Autopan	4
Sequence	8
Auto Home	Yes
Motion Detection	Yes (4 areas)

NETWORK	
Security	Password protection, HTTPS encryption (configuration only), IEEE 802.1X
Supported Protocols	IPv4/v6, TCP/IP, UDP, RTP, RTSP, HTTP, HTTPS, DHCP, PPPoE, UPnP, QoS, ONVIF-S
Interface	RJ-45, 10/100Mbps Ethernet
Internet Browser	Internet Explorer (10+)

SYSTEM INTEGRATION	
Alarms	Four alarm inputs, two relay outputs
Intelligent Video	Video motion detection, privacy zones
Alarm Trigger	Motion detection, external input
Alarm Events	Video recording to local storage (standard SD card, 128 GB support), external output activation

CONNECTORS	
Terminal Block	Alarm in, alarm out, 12 VDC, 24 VAC, Audio I/O, RS-485
RJ-45 Connector	Ethernet
CVBS BNC Connector	Analog video

ELECTRICAL	
Power	UPoE, 12 VDC (3.25 A), 24 VAC (1.6 A)
Power Consumption	39 Watts max

PHYSICAL	
Construction	Metal and plastic
Storage	Support for standard SD card, up to 128 GB Support for recording to NAS
Dimensions (H x D)	11.8 x 8.2 in (30.93 cm x 20.74 cm)
Weight	8.4 lbs (3.8 kg)
Operating Conditions	-40° to 140°F (-40° to 60°C) — with heater
Storage Conditions	-4° to 158°F (-20° to 70°C)
Humidity	10 - 90% RH, non-condensing
Weatherproof Standard	IP66

REGULATORY	
Certification Model	C3801A
Emissions	EN 55032, FCC Part 15 Subpart B, ICES-003, AS/NZS CISPR 32
Immunity	EN55024, EN50130-4
Safety	EN/IEC60950-1, UL/CSA60950-1
Environmental	ROHS2, WEEE

MOUNTING OPTIONS		
1.5" NPT Short Pendant Mount with Back Box	1.5" NPT Wall Mount with Back Box	1.5" NPT Pendant Mount
1.5" NPT Wall Mount	Corner Adaptor	Pole Adaptor

ORDERING INFORMATION	
CAMERA	
36896-101	ME3 Pendant IR PTZ 40x
ACCESSORIES	
36990	1.5" NPT Short Pendant Mount with Back Box
HOMINIDOMESMA	1.5" NPT Pendant Mount
36989	1.5" NPT Wall Mount with Back Box
HOMINIDOMEWB	1.5" NPT Wall Mount
HOMINIDOMEVMA	Pole Adaptor
27639	Corner Adaptor
36991	Single Port UPOE PTZ Power Injector

5-year warranty:

- Option for Advance Replacement or Repair & Return.
- No need to issue a PO prior to receiving the replacement.
- March Networks incurs all shipping costs — both ways — for Advance Replacements.

North America 1 800 563 5564
 Latin America +5255 5259 9511
 Europe +39 0362 17935
 Asia +65 6818 0963
 Australia and New Zealand +61 1300 089 419
 Middle East and Africa +971 4 399 5525

© 2021 March Networks. All rights reserved. Information in this document is subject to change without notice. MARCH NETWORKS, March Networks Command, March Networks Searchlight, March Networks RideSafe, and the MARCH NETWORKS logo are trademarks of March Networks Corporation. All other trademarks are the property of their respective owners. 060-3371-00-D marchnetworks.com

